



# RAP70T

ASPHALT PAVER



# Versatile Screed Configurations Optimize Job Site Performance.



1. All wheel drive closed-loop control for hydraulic constant speed paving. The paver has good weight distribution over the large track contact area to provide maximum traction and paver stability. Weight and traction balanced with engine power delivers optimum paving performance.

2. Equipped with Deutz engines, the hydraulic extension screed and/or mechanical screed for different road-width paving are equipped with two longitudinal and one transverse automatic levelling probes to meet the high demands of achieving high-grade road smoothness.

3. The Rhino Asphalt Paver with Electronic Control Hydrostatic Sensor are all integrated with advanced components. These pavers are highly adaptable, user friendly, and efficient; suitable for paving highways, or any type of project.



# Tough and Powerful



Rhino Asphalt pavers meet all your needs for powerful, precise paving machines on rigorous jobsites. With ample reserve power, robust and sturdy design, these machines are ideal for medium and large scale projects.

The RAP70T is a powerful rubber-track asphalt paver designed to work in all types of sub-grades and paving applications. The RAP70T is built to provide power and productivity, with tracks that pull the paver through challenging conditions.

Exceptional weight distribution makes the RAP70T easy to handle, while the maximum paving width of 7,000 mm makes it a good fit for a wide range of applications.

**OPERATING WEIGHT**

Max. Machine Weight Kg (lb)	19,500(42,990)
-----------------------------	----------------

**POWER TRAIN**

Engine Make / Model	Deutz BF6L913
---------------------	---------------

Net Power kW (Hp) @ 2,300 rpm	112(150)
-------------------------------	----------

Displacement L (cu. In)	6.1(372)
-------------------------	----------

Emission Rating (optional)	Tier 2 (Tier 3, Tier 4)
----------------------------	-------------------------

Fuel System	Direct Injection
-------------	------------------

Lubrication	Full-flow spin-on filter
-------------	--------------------------

Aspiration	Turbocharged
------------	--------------

Air Cleaner	Under-hood, dual element dry type
-------------	-----------------------------------

Fan Drive	Belt driven
-----------	-------------

Electrical System	12 Volts with 70 Amp alternator
-------------------	---------------------------------

**PAVER**

Min. Paving Width mm (ft)	3,000(10)
---------------------------	-----------

Max. Paving Width mm (ft)	7,000(23)
---------------------------	-----------

Max. Paving Depth mm (in)	300(12)
---------------------------	---------

Max. Paving Speed m/min (yd/min)	6.3(7)
----------------------------------	--------

High Travel Speed kmh (mph)	2.3(1)
-----------------------------	--------

Track Type	Rubber Tracks
------------	---------------

Track Width mm (in)	300(12)
---------------------	---------

Brakes	Dynamic Hydrostatic Braking
--------	-----------------------------

Theoretical Productivity t/h (US ton/h)	400(441)
---	----------

**SPREADING AUGER SECTIONS**

Twin Screws

Diameter mm (in)	350(14)
------------------	---------

**HOPPER**

Fully articulated, Hydraulic controls

Length mm (ft)	2,190(7)
----------------	----------

Width Closed mm (ft)	3,000(10)
----------------------	-----------

Width Open mm (ft)	3,210(11)
--------------------	-----------

Volume m3 (cu. Ft)	6.0(212)
--------------------	----------

Capacity Tons (lbs)	12(24,000)
---------------------	------------

Feeding Conveyors	Dual feeders, Independent control
-------------------	-----------------------------------

**SCREED**

Extension Mode	Hydraulic, Mechanical joint
----------------	-----------------------------

Heating Mode	Fuel, Auto ignition
--------------	---------------------

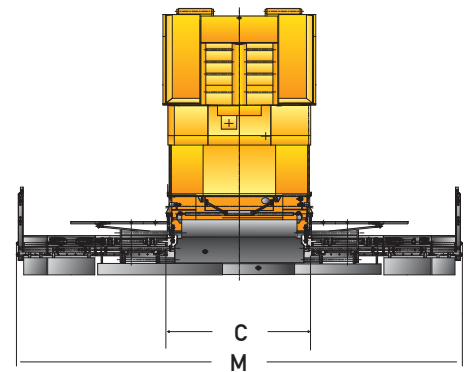
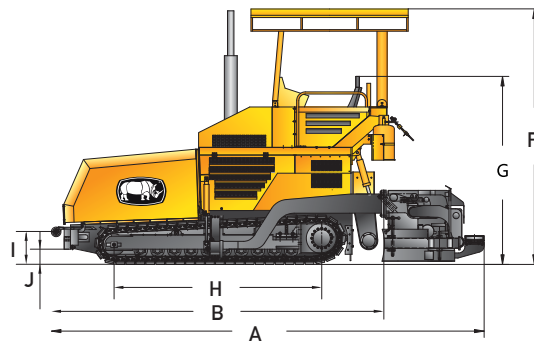
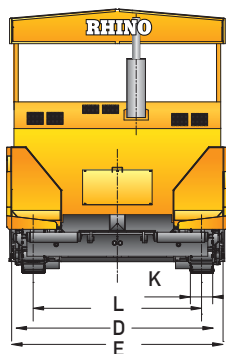
Vibration Frequency Hz (vpm)	50(3,000)
------------------------------	-----------

**HYDRAULIC SYSTEM**

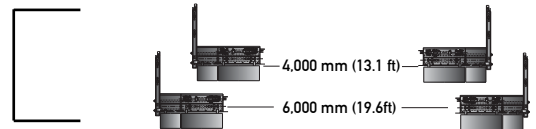
Pump Type	Axial piston pump, Variable displacement
-----------	--

Driving Type	Axial piston motors, Constant displacement
--------------	--

System Pressure Mpa (psi)	40(5,802)
REFILL CAPACITIES L (gal)	
Fuel Tank	190(50)
Coolant	18(5)
Engine Oil	16(4)
Hydraulic Tank	210(55)



Screed Extensions



## DIMENSIONS

A. Overall Length with Standard Screed mm (ft)	6,565(21.5)
B. Overall Length without Standard Screed mm (ft)	5,160(16.9)
C. Screed Transport Width mm (ft)	3,000(9.8)
D. Transport Width Hopper Closed mm (ft)	3,000(9.8)
E. Transport Width Hopper Opened mm (ft)	3,210(10.5)
F. Max. Machine Height mm (ft)	3,928(12.9)
G. Transport Height mm (ft)	2,888(9.5)
H. Length of Track on Ground mm (ft)	3,030(9.9)
I. Hopper Ground Clearance mm (in)	508(20.0)
J. Ground Clearance mm (in)	320(12.6)
K. Track Width mm (in)	300(11.8)
L. Track Gauge mm (ft)	2,400(7.9)
M. Max Paving Width mm (ft)	7,000(23)

## OPTIONS:

Infrared Heating Screed, Steel Tracks, Auto-Leveling, Tier 3, Tier 4 Engine.

Paver operating information is based on machine with identified linkage and standard equipment, full fuel tank, and 79-kg (175 lb.) operator. This information is affected by changes in screed sizes, and different attachments.